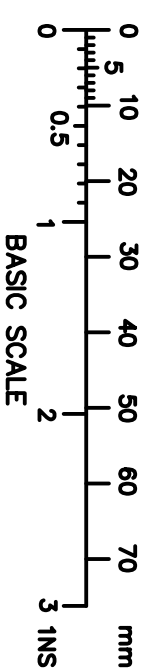


THIS DRAWING IS THE PROPERTY OF BROWNELL LTD, AND MAY NOT BE COPIED OR REPRODUCED WITHOUT THEIR PRIOR WRITTEN PERMISSION

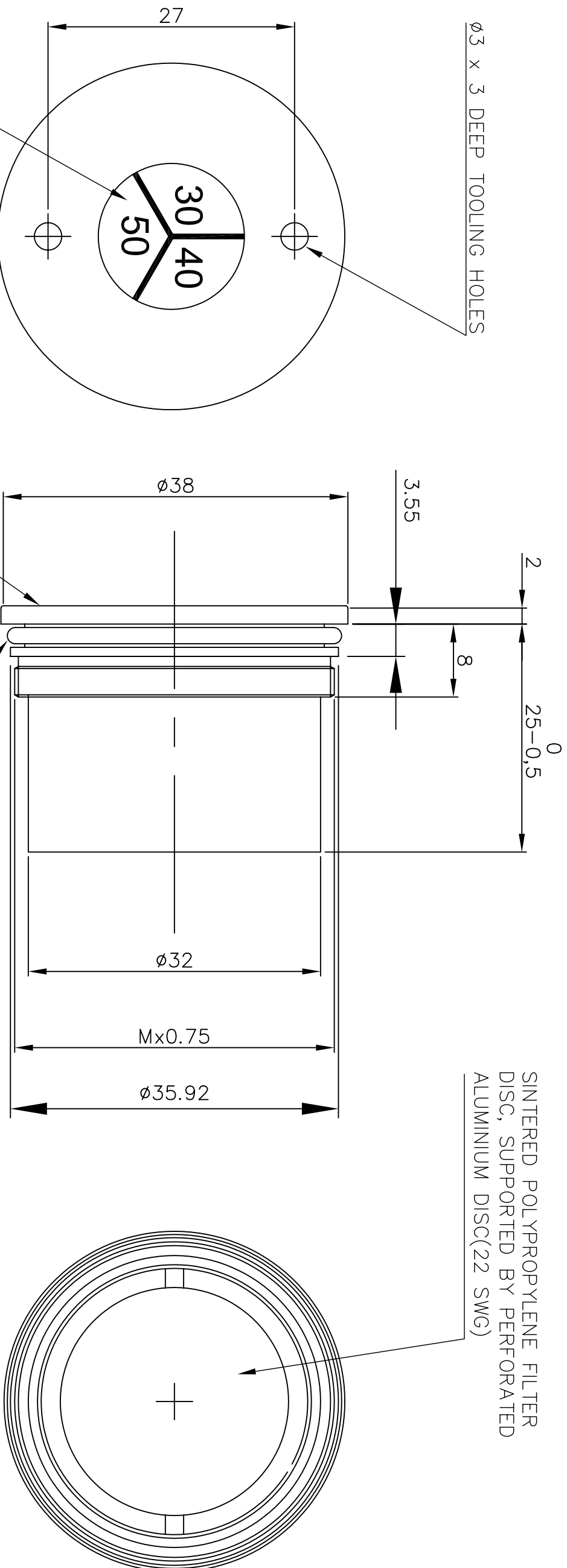
DRG No  
BL/D10726 INST

USED ON \_\_\_\_\_

THIRD ANGLE PROJECTION  
REMOVE ALL SHARP EDGES UNLESS SPECIFIED  
DO NOT SCALE - ASK



SINTERED POLYPROPYLENE FILTER DISC, SUPPORTED BY PERFORATED ALUMINIUM DISC(22 SWG)



PAINT OUTER SURFACE OF DESICCATOR WHITE.

3 LEVEL COLOUR-CHANGE INDICATOR DISC, BEHIND POLYCARBONATE OBSERVATION WINDOW

NOTE :-  
FILLED WITH APPROXIMATELY 9.5 GRAMS OF BEADED SILICA GEL DESICCANT.

MATERIAL ALUMINIUM ALLOY		PROTECTIVE FINISH ANODISED & DYED BLACK - PAINTED WHERE INDICATED		TOLERANCES ±0.5		TITLE DESICCATOR	
EST. WT. _____		DIMENSIONS IN In/mm		SURFACE ROUGHNESS 3.2µm		DRAWING NUMBER BL/D10726 INST	
SCALE (ORIGINAL) 2:1		BROWNELL Ltd. LONDON NW10 7XF		MOD No		ISSUE	
RED DOT=ORIGINAL		BLACK DOT=COPY		PK		CHECKED	
ORIGINAL		CHANGE		1		25-08-09	