

THIS DRAWING IS THE PROPERTY OF BROWNELL LTD, AND MAY NOT BE COPIED OR REPRODUCED WITHOUT THEIR PRIOR WRITTEN PERMISSION

DRG No  
BL/D11043  
USED ON -----

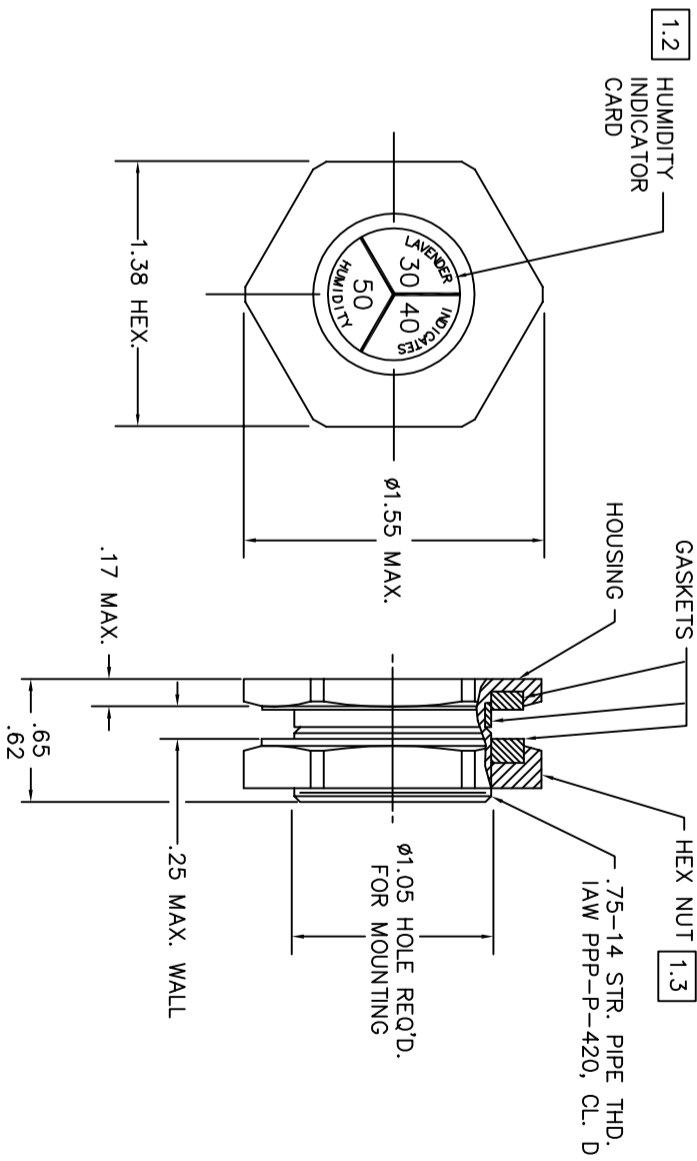
REMOVE ALL SHARP EDGES UNLESS SPECIFIED

THIRD ANGLE PROJECTION

DO NOT SCALE - ASK

NOTES UNLESS OTHERWISE SPECIFIED  
1. SPECIFICATIONS:

- 1.1 THIS HUMIDITY INDICATOR SHALL BE MANUFACTURED AND CERTIFIED IAW SPECIFICATION SAE AS26860, TYPE II.
- 1.2 THE RELATIVE HUMIDITY OF THE CONTAINER AIR IS INDICATED BY THE 30, 40 AND 50 PERCENT SEGMENTS ON THE INDICATOR CARD. A BLUE COLOR IN SEGMENT INDICATES RH IS LESS THAN NUMBER IN THAT SEGMENT. A LAVENDER OR PINK COLOR IN SEGMENT INDICATES RH IS EQUAL TO OR GREATER THAN NUMBER IN THAT SEGMENT. COLOR CHANGE IS REVERSIBLE UNDER NORMAL CONDITIONS.
- 1.3 THIS ASSEMBLY IS INTENDED FOR MOUNTING IN EITHER A FLEXIBLE BARRIER MATERIAL OR A RIGID WALL. WHEN MOUNTING IN A RIGID WALL, GASKET ADJACENT TO HEX NUT MAY BE DISCARDED AND HEX NUT REVERSED.
- 2 MATERIALS:
- 2.1 HOUSING, HEX NUT AND LOCKSCREW: ALUMINUM ALLOY.
- 2.2 GASKETS: IAW MIL-R-6855, CLASS II, TYPE A OR B, GRADE 60.
- 2.3 WINDOW: PLEXIGLAS IAW MIL-P-5425.
- 2.4 HUMIDITY INDICATOR CARD: CHEMICALLY IMPREGNATED BLOTTER PAPER IAW MIL-I-8835.
- 3 FINISH: HOUSING, HEX NUT AND LOCKSCREW ANODIZED IAW MIL-A-8625, TYPE II, CLASS 1.



MATERIAL	PROTECTIVE FINISH	TOLERANCES UNLESS OTHERWISE STATED	ANGULAR DIMS. ±0.5°	LINEAR DIMS. 0.00 = ±0.015 0.000 = ±0.010
SEE NOTE 2	SEE NOTE 3	DIMENSIONS IN in./mm	SURFACE TEXTURE	INS
EST. WT. -----		SCALE (ORIGINAL)		1:1

TITLE  
**BROWNELL Ltd. LONDON NW10 7XF**  
HUMIDITY INDICATOR PLUG

ORIGINAL	MOD No	ISSUE	DATE
CHANGE		1	16/02/11

DRAWING NUMBER  
BL/D11043

RED DOT=ORIGINAL  
BLACK DOT=COPY

DRAWN AM  
CHECKED