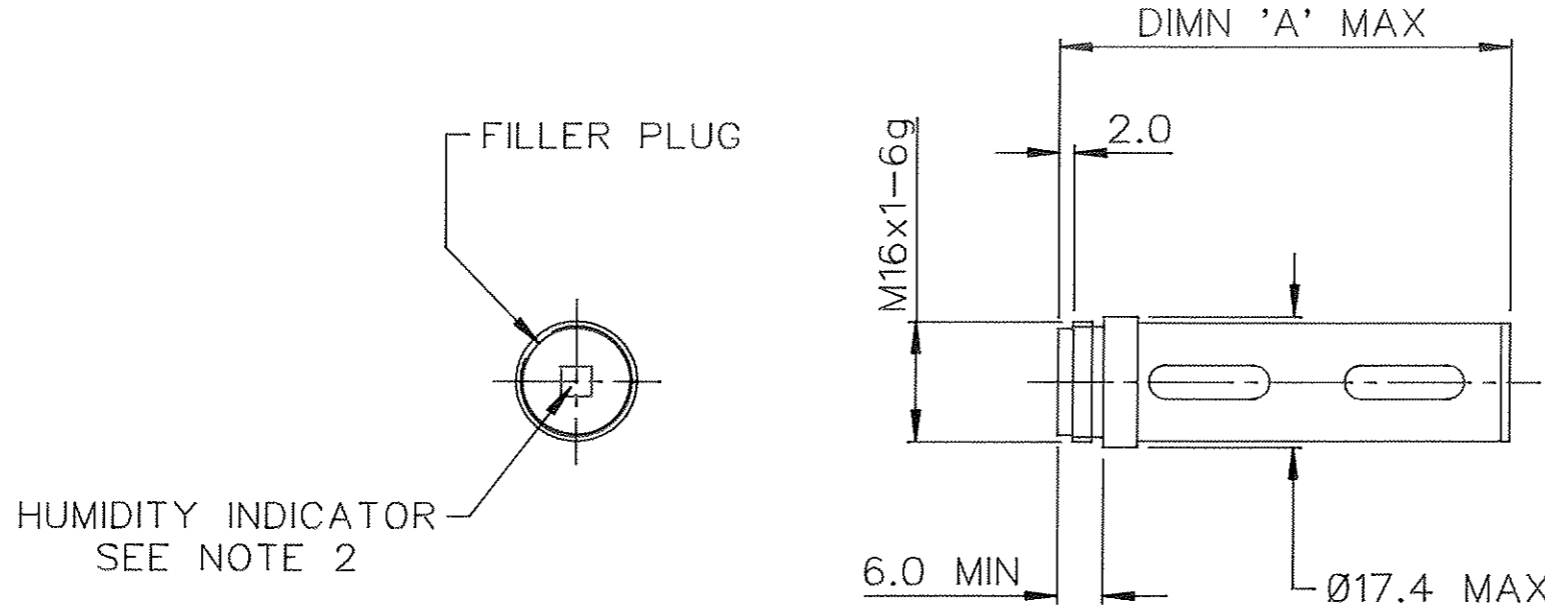
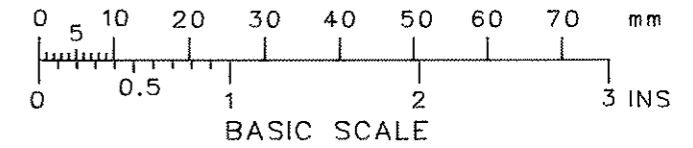


DRG NO SHT 1 OF 2
BL/D 2713/01-08 INST
USED ON DEF STAN 44-2

THIRD ANGLE PROJECTION

REMOVE ALL SHARP EDGES UNLESS SPECIFIED

DO NOT SCALE - ASK



SEE SHEET 2 FOR RCT13-RCT24

| DRG No | STYLE | NSN | DESICCANT | NOMINAL CONTENTS | DIMN 'A' MAX | REFILL PT No | REFILL NSN |
|-------------|----------|------------------|-------------------|------------------|--------------|--------------|------------------|
| BL/D2713/01 | RCT1MMS | 4440-99-225-3230 | MOLECULAR SIEVES | 2 GRM | 33.5 | BL/D2807/05 | 4440-99-225-3254 |
| BL/D2713/02 | RCT2MMS | 4440-99-225-3231 | MOLECULAR SIEVES | 4 GRM | 60.0 | BL/D2807/13 | 4440-99-225-3255 |
| BL/D2713/03 | RCT3MMS | 4440-99-225-3232 | MOLECULAR SIEVES | 6 GRM | 85.0 | BL/D2807/14 | 4440-99-225-3256 |
| BL/D2713/04 | RCT4MMS | 4440-99-225-3233 | MOLECULAR SIEVES | 8 GRM | 110.0 | BL/D2807/15 | 4440-99-225-3257 |
| BL/D2713/05 | RCT5MBSG | 4440-99-225-3234 | BEADED SILICA GEL | 2 GRM | 33.5 | BL/D2807/03 | 4440-99-225-3266 |
| BL/D2713/06 | RCT6MBSG | 4440-99-225-3235 | BEADED SILICA GEL | 4 GRM | 60.0 | BL/D2807/24 | 4440-99-225-3267 |
| BL/D2713/07 | RCT7MBSG | 4440-99-225-3236 | BEADED SILICA GEL | 6 GRM | 85.0 | BL/D2807/25 | 4440-99-225-3268 |
| BL/D2713/08 | RCT8MBSG | 4440-99-225-3237 | BEADED SILICA GEL | 8 GRM | 110.0 | BL/D2807/26 | 4440-99-225-3269 |

NOTES

- ALL DESICCATORS IRRESPECTIVE OF THE TYPE OF DESICCANT USED ARE OVERPACKAGED IN SCREW CAP ALUMINIUM CONTAINERS SUITABLY TREATED TO ENSURE THAT THERE IS NOT MORE THAN 2% INCREASE IN THE WEIGHT OF THE DESICCANT IN 5 YEARS WHEN STORED IN TEMPERATE CONDITIONS.
- A COBALT BROMIDE INDICATOR DISC WHICH SHOWS A COLOUR CHANGE FROM BLUE TO PINK WHEN THE EQUILIBRIUM RH EXCEEDS 10% AT 25 °C IS FITTED AS A GUIDE TO THE CONDITION OF THE DESICCANT WHEN THE DESICCATOR IS FIRST REMOVED FROM ITS STORAGE CONTAINER.

| | | | |
|-----------------------|--------|-------|---------|
| | | | |
| ANODIC COLOUR CHANGED | 5932 | 13 | 10/4/02 |
| REDRAWN | 3963 | 12 | 18/3/91 |
| CHANGE | MOD NO | ISSUE | DATE |

| | | | | | | |
|------------|-------------------|-----------------------------|--|----------------------|------------|---------|
| MATERIAL | PROTECTIVE FINISH | TOLERANCES UNLESS STATED | BROWNELL LIMITED LONDON NW10 | CUSTOMER REF. | DRAWN | CHECKED |
| ALUM ALLOY | ANODISED BLACK | — | | TITLE | | LJ |
| EST. WT. | | DIMNS IN INS /mm | DESICCANT CONTAINER DEHUMIDIFIER (TUBULAR) RECHARGEABLE SERIES | DRAWING NO | SHT 1 OF 2 | |
| | | SCALE (ORIGINAL) | | BL/D 2713/01-08 INST | | |

THIS DESIGN IS THE PROPERTY OF BROWNELL LTD AND MAY NOT BE COPIED OR REPRODUCED WITHOUT THEIR PRIOR WRITTEN PERMISSION

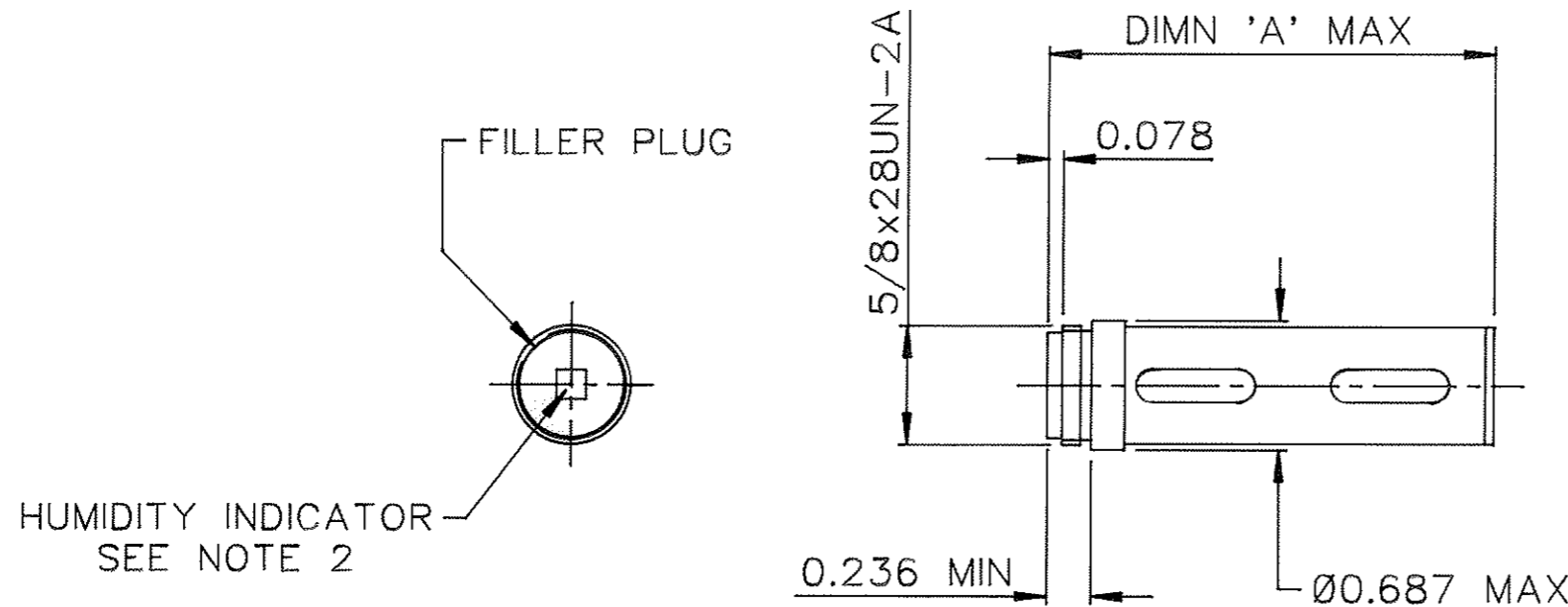
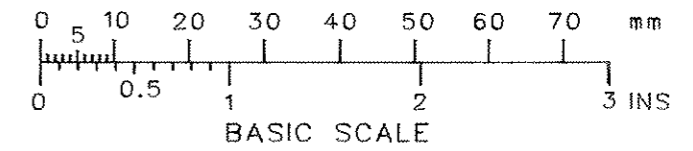
DRG NO SHT 2 OF 2
BL/D 2713/13-24 INST

USED ON

THIRD ANGLE PROJECTION

REMOVE ALL SHARP EDGES UNLESS SPECIFIED

DO NOT SCALE - ASK



SEE SHEET 1 FOR RCT1-RCT8

| DRG No | STYLE | NSN | DESICCANT | NOMINAL CONTENTS | DIMN 'A' MAX | REFILL PT No | REFILL NSN |
|-------------|-------|------------------|-------------------|------------------|--------------|--------------|------------------|
| BL/D2713/13 | RCT13 | 4440-99-758-9007 | MOLECULAR SIEVES | 2 GRM | 1.320 | BL/D2807/05 | 4440-99-225-3254 |
| BL/D2713/14 | RCT14 | 4440-99-758-9008 | MOLECULAR SIEVES | 4 GRM | 2.362 | BL/D2807/13 | 4440-99-225-3255 |
| BL/D2713/15 | RCT15 | 4440-99-758-9004 | MOLECULAR SIEVES | 6 GRM | 3.346 | BL/D2807/14 | 4440-99-225-3256 |
| BL/D2713/16 | RCT16 | 4440-99-758-9006 | MOLECULAR SIEVES | 8 GRM | 4.330 | BL/D2807/15 | 4440-99-225-3257 |
| BL/D2713/17 | RCT17 | 4440-99-800-5879 | BEADED SILICA GEL | 2 GRM | 1.320 | BL/D2807/03 | 4440-99-225-3266 |
| BL/D2713/18 | RCT18 | | BEADED SILICA GEL | 4 GRM | 2.362 | BL/D2807/24 | 4440-99-225-3267 |
| BL/D2713/19 | RCT19 | 4440-99-761-4436 | BEADED SILICA GEL | 6 GRM | 3.346 | BL/D2807/25 | 4440-99-225-3268 |
| BL/D2713/20 | RCT20 | | BEADED SILICA GEL | 8 GRM | 4.330 | BL/D2807/26 | 4440-99-225-3269 |
| BL/D2713/21 | RCT21 | | MOLECULAR SIEVES | 15 GRM | 5.250 | BL/D2807/12 | 4440-99-225-3259 |
| BL/D2713/22 | RCT22 | | MOLECULAR SIEVES | 18 GRM | 6.250 | BL/D2807/59 | |
| BL/D2713/23 | RCT23 | | BEADED SILICA GEL | 15 GRM | 5.250 | BL/D2807/27 | 4440-99-225-3271 |
| BL/D2713/24 | RCT24 | | BEADED SILICA GEL | 18 GRM | 6.250 | BL/D2807/57 | |

NOTES

- ALL DESICCATORS IRRESPECTIVE OF THE TYPE OF DESICCANT USED ARE OVERPACKAGED IN SCREW CAP ALUMINIUM CONTAINERS SUITABLY TREATED TO ENSURE THAT THERE IS NOT MORE THAN 2% INCREASE IN THE WEIGHT OF THE DESICCANT IN 5 YEARS WHEN STORED IN TEMPERATE CONDITIONS.
- A COBALT BROMIDE INDICATOR DISC WHICH SHOWS A COLOUR CHANGE FROM BLUE TO PINK WHEN THE EQUILIBRIUM RH EXCEEDS 10% AT 25 °C IS FITTED AS A GUIDE TO THE CONDITION OF THE DESICCANT WHEN THE DESICCATOR IS FIRST REMOVED FROM ITS STORAGE CONTAINER.

| | | | |
|-----------------------|--------|-------|---------|
| | | | |
| ANODIC COLOUR CHANGED | 5932 | 13 | 10/4/02 |
| REDRAWN | 3963 | 12 | 18/3/91 |
| CHANGE | MOD NO | ISSUE | DATE |

| | | | | | | |
|------------|-------------------|--------------------------|--|----------------------|------------|---------|
| MATERIAL | PROTECTIVE FINISH | TOLERANCES UNLESS STATED | BROWNELL LIMITED LONDON NW10 | CUSTOMER REF. | DRAWN | CHECKED |
| ALUM ALLOY | ANODISED BLACK | — | TITLE | | LJ | AK |
| EST. WT. | | DIMNS IN INS/ | DESICCANT CONTAINER DEHUMIDIFIER (TUBULAR) RECHARGEABLE SERIES | DRAWING NO | SHT 2 OF 2 | |
| | | SCALE (ORIGINAL) | | BL/D 2713/13-24 INST | | |

THIS DESIGN IS THE PROPERTY OF BROWNELL LTD AND MAY NOT BE COPIED OR REPRODUCED WITHOUT THEIR PRIOR WRITTEN PERMISSION