

DRG. No.

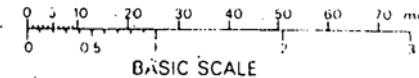
BL/D4624

USED ON

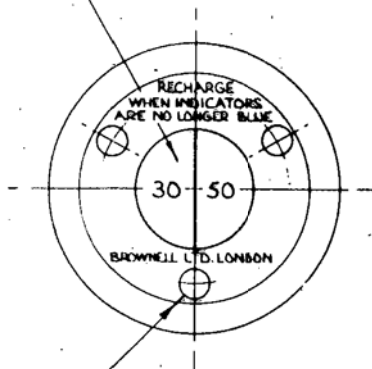
THIRD ANGLE PROJECTION

REMOVE ALL SHARP EDGES UNLESS SPECIFIED.

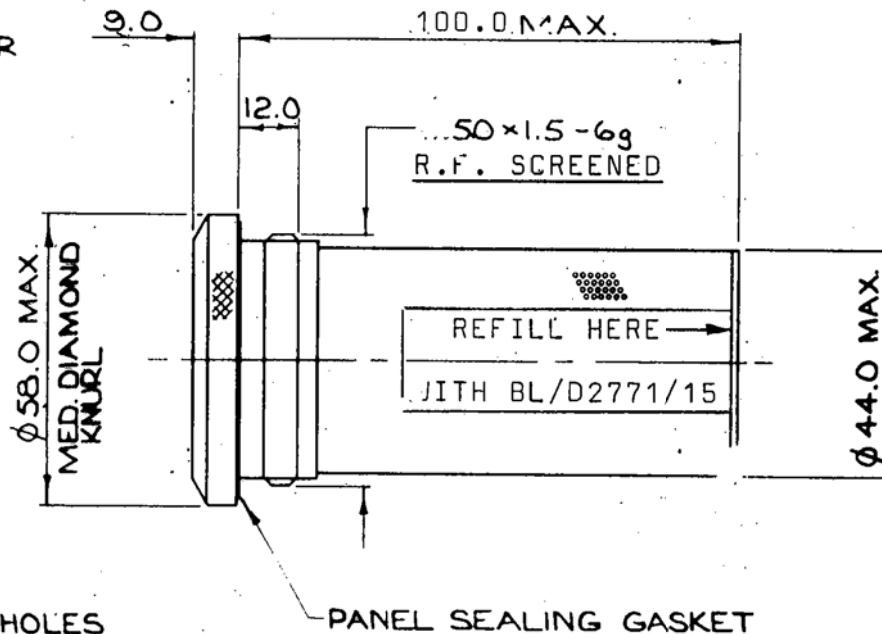
DO NOT SCALE - ASK



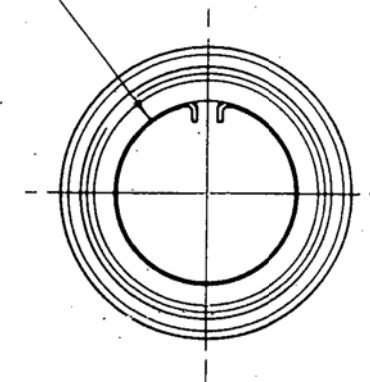
SPLIT LEVEL INDICATOR
30 & 50% RH AT 25°C



φ 6.0 PIN SPANNER HOLES
EQUISPACED ON 38.0 PCD



CIRCLIP AND FILTER DISC
REMOVED TO RECHARGE
WITH DESICCANT



THIS DESIGN IS THE PROPERTY OF BROWNELL LTD.
AND MAY NOT BE COPIED OR REPRODUCED
WITHOUT THEIR PRIOR WRITTEN PERMISSION.

INDIVIDUALLY PACKAGED FOR A SHELF LIFE OF 5 YEARS

DESICCATOR HEAD FINISHED WITH P.T.F.E./NICKEL

EXPOSED SURFACES PAINTED BLACK

REFILL PART No. BL/D2771/15 NSN. 4440-99-225-3321

DESICCANT CONTENT 100G BEADED SILICA GEL TO SPEC. TS10208

		1	3-2-87
CHANGE	MOD. No.	ISSUE	DATE

MATERIAL ALUM. ALLOY	PROTECTIVE TREATMENT ANODISED EXCEPT WHERE STATED	TOLERANCES UNLESS STATED ± 1.0	BROWNELL LTD. LONDON, N.W.10.	CUSTOMERS REF.	DRAWN GH.	CHECKED
EST. WT		DIMNS. IN mm / m.m.	TITLE R.F. SCREENED DESICCANT CONTAINER DEHUMIDIFIER (PANEL MOUNTING)	DRAWING No. BL/D4624		
		SCALE (ORIGINAL) 1-1				