

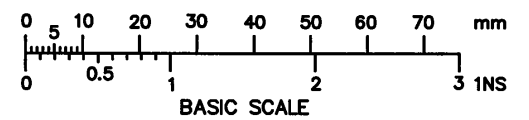
THIS DRAWING IS THE PROPERTY OF BROWNELL LTD. AND MAY NOT BE COPIED OR REPRODUCED WITHOUT THEIR PRIOR WRITTEN PERMISSION

DRG No
BL/D7410/01-13
USED ON _____

THIRD ANGLE PROJECTION

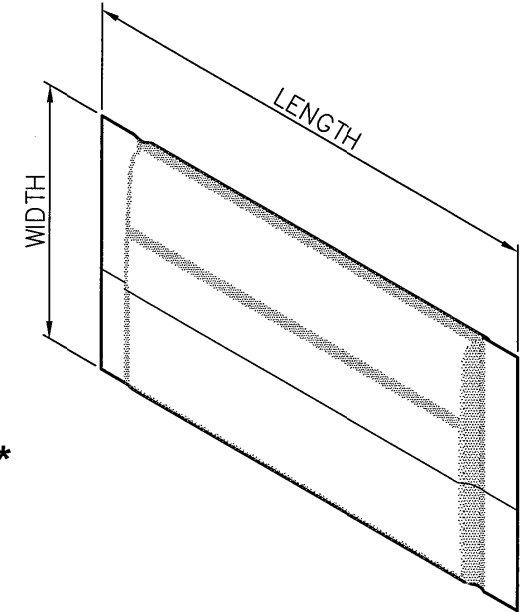
REMOVE ALL SHARP EDGES UNLESS SPECIFIED

DO NOT SCALE - ASK



NATO STOCK NUMBER	DRAWING No.	DESICCANT CONTENT GRAMMES	LENGTH MM	WIDTH MM	MATERIAL
6850-99-212-5139	BL/D7410/01	1 ±0.1	50 ±2.5	30 ±1.5	HEATLON
	BL/D7410/02	3 ±0.3	65 ±3.3	30 ±1.5	
	BL/D7410/03	5 ±0.5	65 ±3.3	50 ±2.5	
	BL/D7410/04	10 ±1.0	80 ±4.0	50 ±2.5	
	BL/D7410/05	25 ±2.5	95 ±4.8	100 ±5.0	
6850-99-359-9136	BL/D7410/06	50 ±5.0	150 ±7.5	100 ±5.0	HEATLON
	BL/D7410/07	100 ±10	180 ±9.0	100 ±5.0	
	BL/D7410/08	250 ±25	180 ±9.0	135 ±6.8	
	BL/D7410/09	500 ±50	210 ±10.5	135 ±6.8	
6850-99-341-5048	BL/D7410/10	1 INDICATING ±0.1	50 ±2.5	30 ±1.5	CLEAR UNIPHANE
6850-99-666-4610	BL/D7410/11	3 INDICATING ±0.3	65 ±3.3	30 ±1.5	
	BL/D7410/12	5 INDICATING ±0.5	65 ±3.3	50 ±2.5	
	BL/D7410/13	100 INDICATING ±10	180 ±9.0	100 ±5.0	HEATLON *

DESICCANT
BL/D7401/01 TO /09 = BEADED SILICA GEL TO BS7554
BL/D7410/10 TO /13 = BEADED SELF INDICATING ENVIROGEL



PACKING - PACKAGED IN RESEALABLE CONTAINERS.
SHELF LIFE - 2 YEARS (TEMPERATE) AS PACKED.
OPERATING TEMPERATURE -50°C +80°C.
ABSORPTION CAPACITY - TYPICAL 20-25% @ 50% RH.
COLOUR CHANGE INDICATION FOR SACHETS /10, /11 & /12 (ORANGE TO GREEN @ 40% RH).
COLOUR CHANGE INDICATOR CARDS (BL/D5013) ARE AVAILABLE, ON REQUEST FOR USE WITH SACHETS /01 to /09.
EYELETS ARE AVAILABLE TO SPECIAL ORDER ON SACHETS /06 to /09.

*BL/D7410/13 INCLUDES A VIEWING WINDOW

/13 ADDED	6117	5	06-10-04
REDRAWN + ADDITIONS	6046	4	29-05-03
/10 to /12 ADDED	5918	3	07-03-02
NSN FOR /06 ADDED	5872	2	10-12-01
ORIGINAL		1	01-07-96
CHANGE	MOD No	ISSUE	DATE

MATERIAL SEE TABLE		PROTECTIVE FINISH NONE	TOLERANCES SEE TABLE	BROWNELL Ltd. LONDON NW10 7XF	<input type="radio"/> RED DOT=ORIGINAL <input type="radio"/> BLACK DOT=COPY	DRAWN PK	CHECKED
EST. WT. _____		DIMENSIONS IN in/mm MM	TITLE DESICCANT SACHETS		DRAWING NUMBER		
		SURFACE ROUGHNESS _____	NON-INDICATING 1 GRM. TO 500 GRM. & INDICATING 1 GRM. TO 100 GRM.		BL/D7410/01-13		
		SCALE (ORIGINAL) _____					