

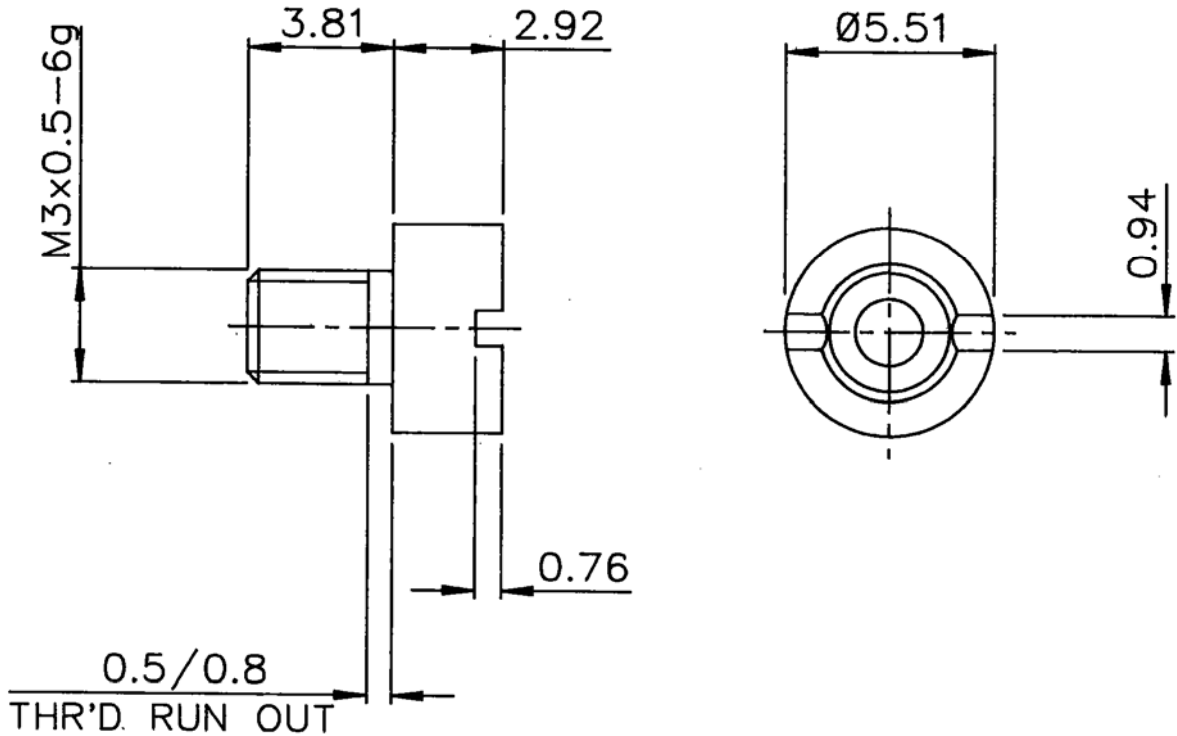
DRG No

BL/D 9036 INST

THIRD ANGLE  
PROJECTION

REMOVE ALL BURRS  
& SHARP EDGES

USED ON



NOTES

- MATERIAL: BODY - STAINLESS STEEL TO BS970 PT 1, 303S31.  
FINISH: CLEAN.  
MEMBRANE - MODIFIED ACRYLIC COPOLYMER CAST ON A NONWOVEN POLYESTER SUPPORT. POST TREATED FOR HYDROPHOBICITY THROUGH UV/E BEAM POLYMERIZATION.
- MEMBRANE TO CONFORM TO THE FOLLOWING TEST:  
MIL-STD-810E METHOD 512.3 PROCEDURE 1 AT A DEPTH OF 1 METRE FOR 2 HOURS.

THIS DESIGN IS THE PROPERTY OF BROWNELL LTD AND MAY NOT BE COPIED OR REPRODUCED WITHOUT THEIR PRIOR WRITTEN PERMISSION

MATERIAL	PROTECTIVE FINISH				
SEE NOTES	SEE NOTES	REDRAWN	5869	B	13/12/01
EST. WT. —				A	5/7/01
DIMNS IN mm	SURFACE ROUGHNESS	CHANGE	MOD No	ISSUE	DATE
SCALE 5 : 1	—				
			TOLERANCES GEN TOL ±0.2 ANG TOL ±0.5°		
BROWNELL LIMITED LONDON NW10				DRAWN LJ	CHKD A
SUB CONT.			SUB CONT. DRG REF.		
TITLE MINI IMMERSION BREATHER			DRAWING No BL/D 9036 INST		