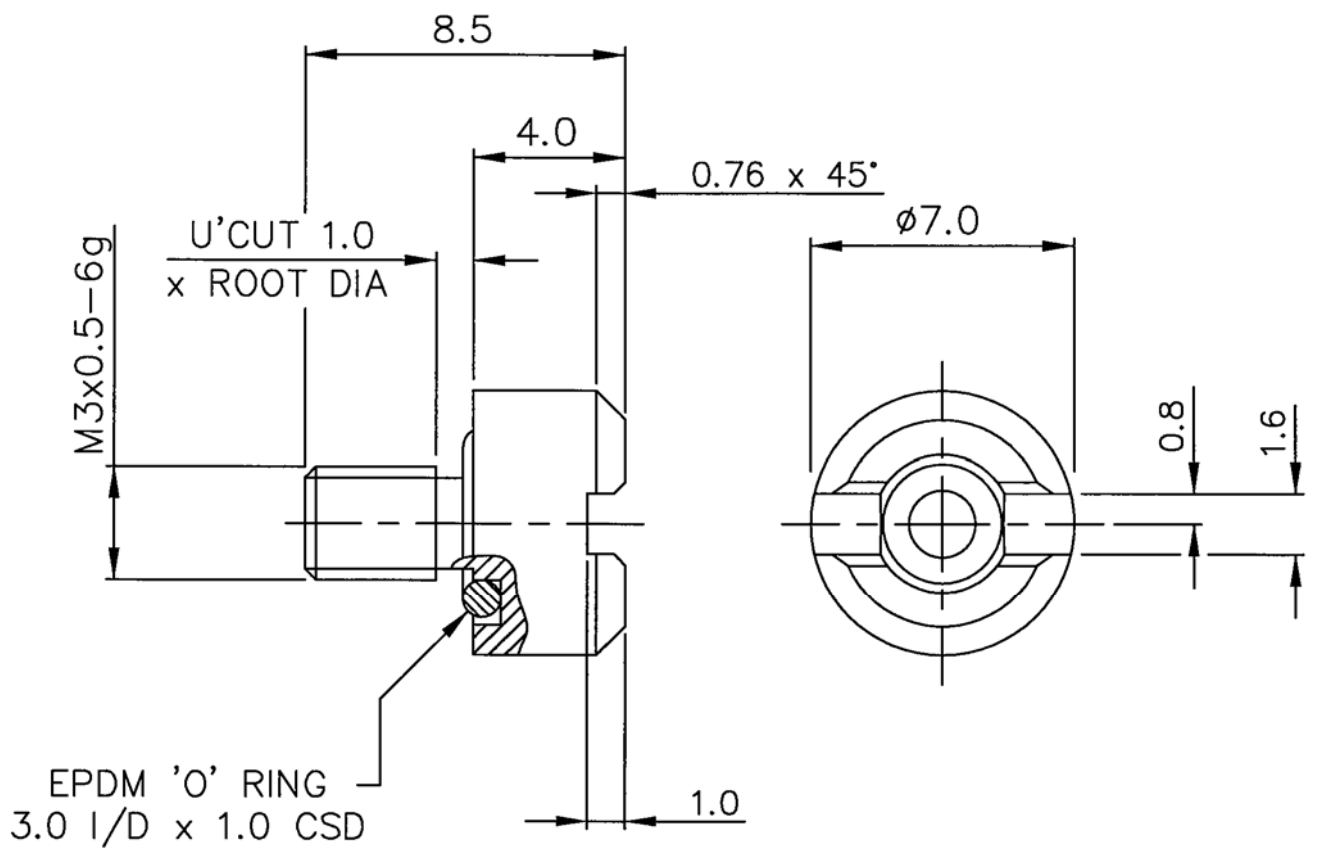


THIS DESIGN IS THE PROPERTY OF BROWNELL LTD
AND MAY NOT BE COPIED OR REPRODUCED WITHOUT
THEIR PRIOR WRITTEN PERMISSION

DRG No BL/D 9290 INST	THIRD ANGLE PROJECTION	REMOVE ALL BURRS & SHARP EDGES
USED ON		



NOTES

1. PERFORMANCE SPECIFICATION:
 NOMINAL FLOW RATE: 30cc/min AT 1" Wg.
 85cc/min AT 6" Wg.
 OPERATING TEMPERATURE RANGE: -40 °C TO +75 °C.
 STORAGE TEMPERATURE RANGE: -50 °C TO +85 °C.
 HUMIDITY: 0 TO 100%.
 IMMERSION: DEPTH 1 METRE FOR A DURATION OF 2 HOURS.

2. MEMBRANE MATERIAL: MODIFIED ACRYLIC COPOLYMER CAST ON A NONWOVEN POLYESTER SUPPORT. POST TREATED FOR HYDROPHOBICITY THROUGH UV/E BEAM POLYMERIZATION.

MATERIAL STAINLESS STEEL TO BS970 PT 1 303S31	PROTECTIVE FINISH NATURAL (CLEAN FINISH)	BREATHER HEAD REVISED- SLOT DEEPER&CHAM.ADDDED	6057	C	20-08-03
		PERFORMANCE SPEC CHANGED	6002	B	18-11-02
		ORIGINAL		A	06-11-02
EST. WT. —		CHANGE	MOD No	ISSUE	DATE
DIMNS IN mm	SURFACE ROUGHNESS	TOLERANCES			
SCALE 5 : 1	—	±0.1			
BROWNELL LIMITED LONDON NW10			DRAWN LJ	CHKD <i>R</i>	
SUB CONT.		SUB CONT. DRG REF.			
TITLE MINI BREATHER		DRAWING No BL/D 9290 INST			