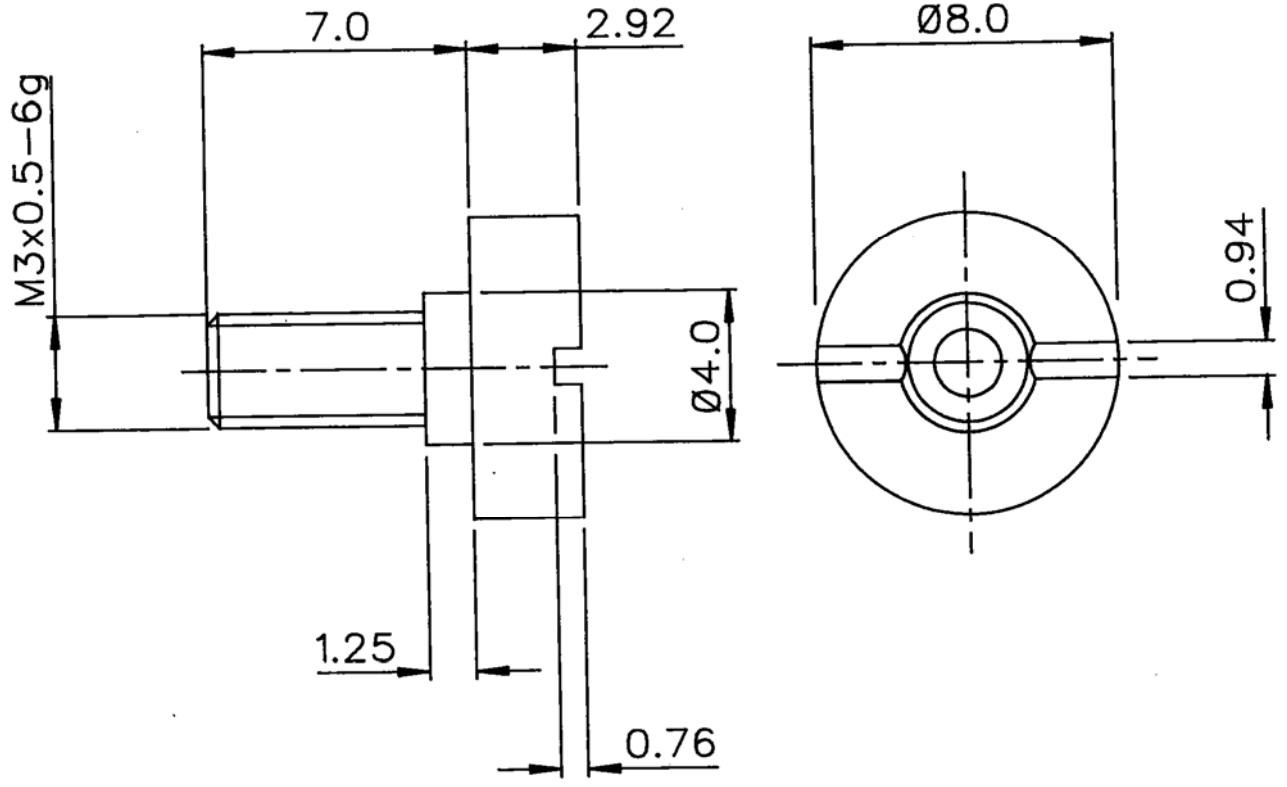


THIS DESIGN IS THE PROPERTY OF BROWNELL LTD
AND MAY NOT BE COPIED OR REPRODUCED WITHOUT
THEIR PRIOR WRITTEN PERMISSION

DRG No BL/D 9301 INST	THIRD ANGLE PROJECTION	REMOVE ALL BURRS & SHARP EDGES
USED ON		



NOTE

MATERIAL: BODY - BLACK 30% GLASS FILLED NYLON 66.
FINISH: CLEAN AND FLASH FREE.

MEMBRANE - MODIFIED ACRYLIC COPOLYMER CAST ON A NONWOVEN POLYESTER SUPPORT. POST TREATED FOR HYDROPHOBICITY THROUGH UV/E BEAM POLYMERIZATION.

MATERIAL SEE NOTE	PROTECTIVE FINISH —				
EST. WT. —	SURFACE ROUGHNESS —	TOLERANCES	GEN TOL ±0.2 ANG TOL ±0.5°		
DIMNS IN mm	SCALE 5 : 1	CHANGE	MOD No	ISSUE	DATE
BROWNELL LIMITED LONDON NW10			DRAWN LJ	A	21/11/02
SUB CONT.		SUB CONT. DRG REF.			
TITLE MINI BREATHER (PLASTIC)		DRAWING No BL/D 9301 INST			