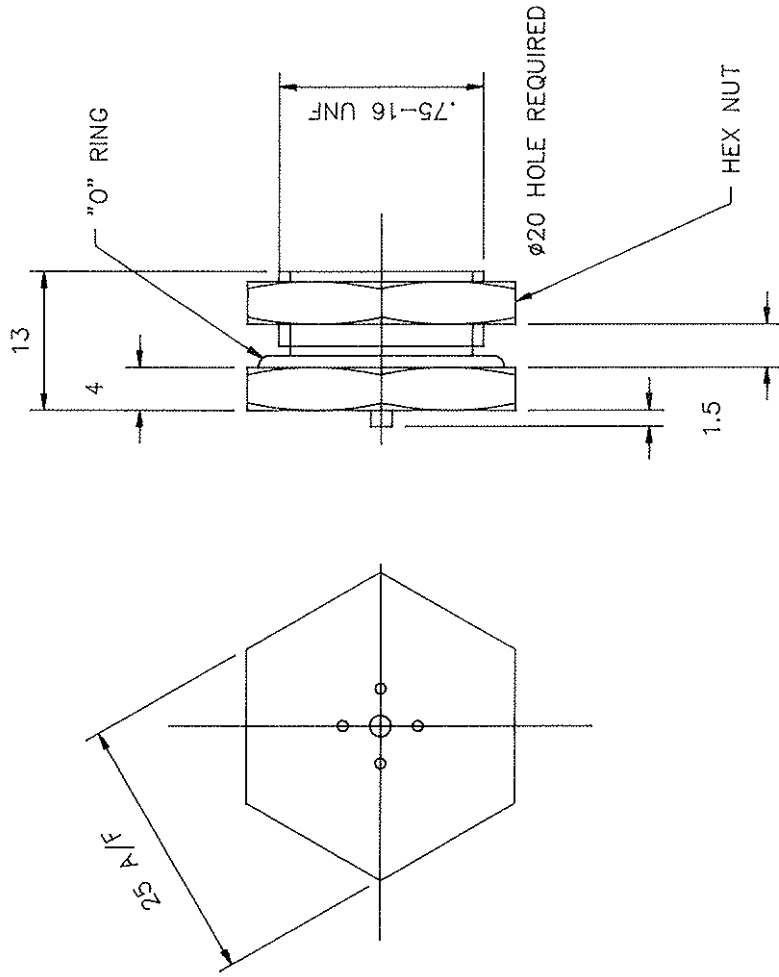
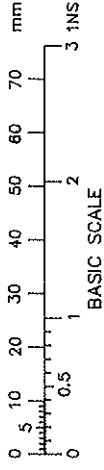


DRG No  
BL/D8887/01-06 INST  
USED ON

THIRD ANGLE PROJECTION

REMOVE ALL SHARP EDGES UNLESS SPECIFIED

DO NOT SCALE - ASK



DRAWING NO	SEALED AT	FLOW RATE	⊙ PRESSURE
BL/D8887/01	0.5 PSID	0.5 SCFM	2.0 PSID
BL/D8887/02	1.0 PSID	0.5 SCFM	2.5 PSID
BL/D8887/03	1.5 PSID	0.5 SCFM	3.0 PSID
BL/D8887/04	2.0 PSID	0.5 SCFM	3.5 PSID
BL/D8887/05	2.5 PSID	0.5 SCFM	4.5 PSID
BL/D8887/06	3.0PSID	0.5 SCFM	5.0 PSID

6 MAX WALL

CHANGE	MOD No	ISSUE	DATE
1		1	23/2/01
CUSTOMER'S REF		DRAWN	CHECKED
		PGD	

MATERIAL	PROTECTIVE FINISH	TOLERANCES	CONTRACTOR
ALUMINIUM ALLOY	ANODISED	DIMENSIONS IN in/mm (in/mm)	BROWNELL Ltd. LONDON NW10
EST. WT.		SURFACE ROUGHNESS	TITLE
		SCALE (ORIGINAL)	DOUBLE DIFFERENTIAL RELIEF VALVE
		2:1	DRAWING NUMBER
			BL/D8887/01-06 INST