



System 50 Flex - Antistatic (Flex AS)

All components RoHS-compatible.

Design - extraction arm for mounting on table:

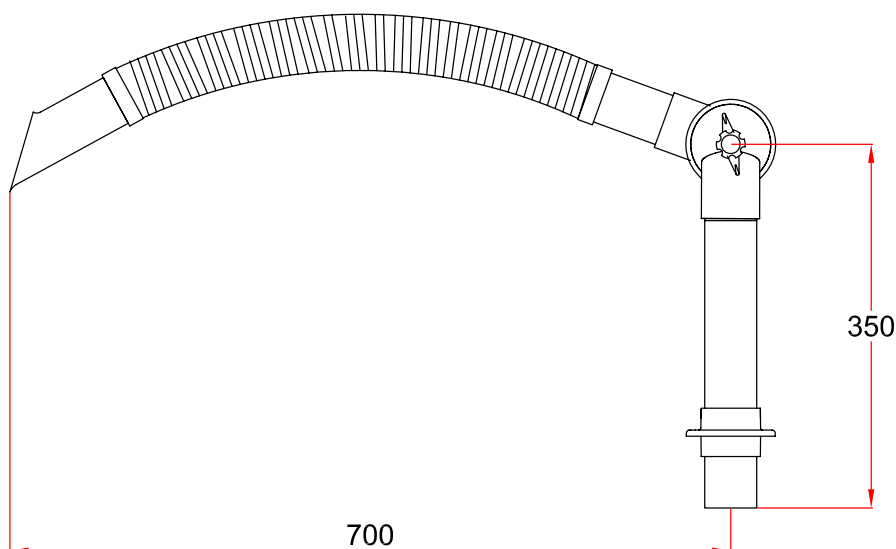
- Working range 700 mm
- Recommended airflow 45 to 85 m³/h
- Diameter of tube: Ø50 mm
- Tubes and extractor tube made of chromated (TCP) Aluminium - surface 10 µ - in combination with a conductive flexible hose to assure permanent conductivity
- Increased options of positioning due to the flexible hose
- Joints made of shatterproof and conductive polypropylene (PP)
- With funnel of the extractor tube in order to increase the capture efficiency
- All O-rings maintenance free
- Integrated valve. When in an open position out of the flow path to maintain the maximum amount of flow
- All threaded stays, springs and thumbscrews made of acid-proof stainless steel (AISI 316L)
- Approved for ESD-areas according to IEC 61340-5-1:2016
- The extraction arms are equipped with an earth wire with a resistance of 1MΩ
- Dismantling of the arm without tools for cleaning



Links: [Pressure drop chart](#), [Mounting](#), [User's manual](#), [Capture efficiency](#), [Test reports](#) [Suction pen](#)

Working area

Units in mm



MATRONIC AB
08-556 292 00
Månskärsvägen 10B
14175 Kungens
Kurva