

SPANNFIX STANDARD – PRODUCT VARIANTS

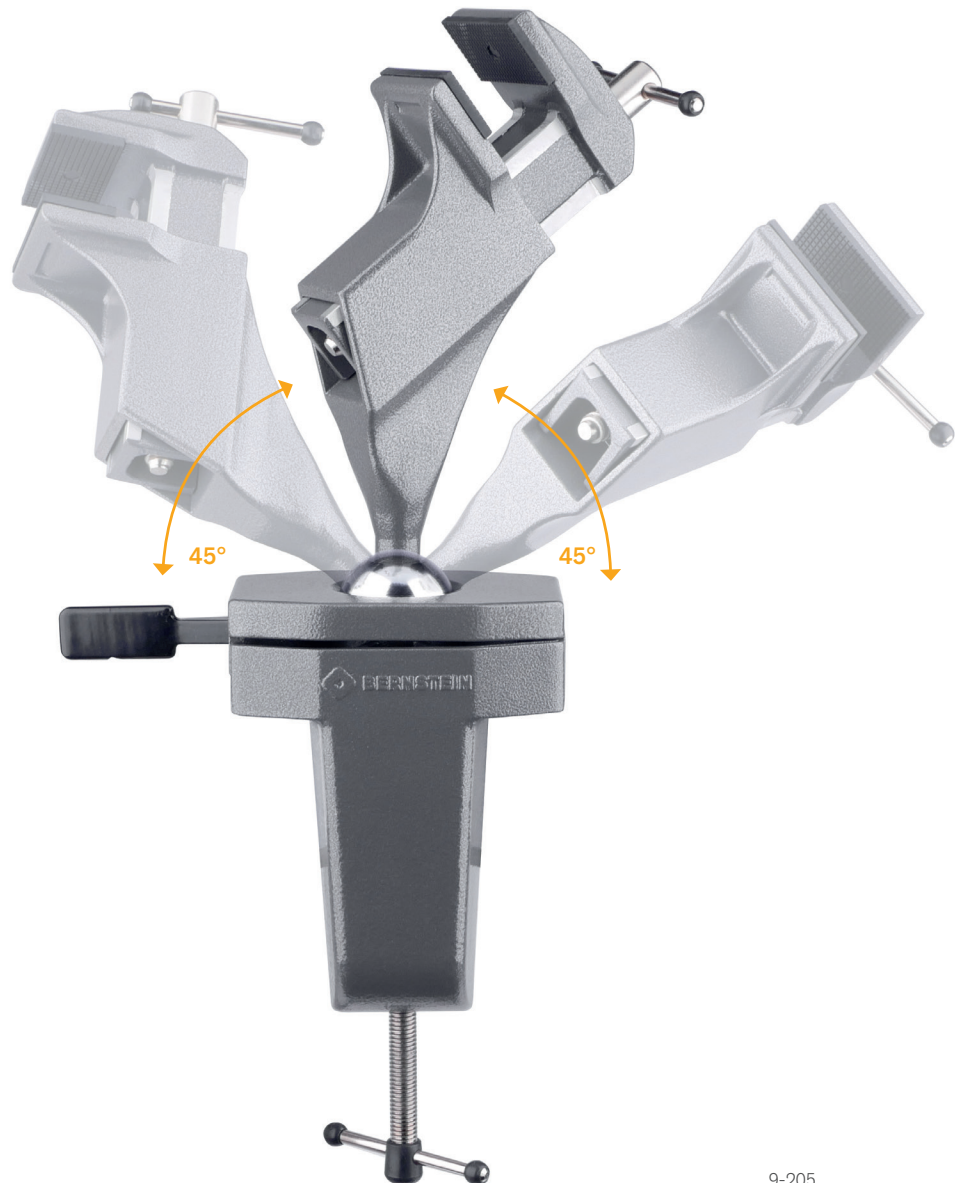
► 9-205

Ball joint vice SPANNFIX for CLAMPING ON



The SPANNFIX 9-205 is suitable for workbenches or work areas with a maximum table top thickness of up to 80 mm. The small vice with a ball joint can be attached quickly and easily to any workbench or worktop due to its table clamp. A small pressure of the lever is sufficient and the clamped workpiece can be fixed steplessly and in any practical working position.

Clamping pressure:	1470 N
Clamping width:	70 mm
Clamping depth:	38 mm
Jaw width:	50 mm



Position as shown:
ca. 310 x 170 x 75 mm
(dimensions for orientation)



Total weight: 1450 g

SPANNFIX STANDARD – PRODUCT VARIANTS

► 9-215

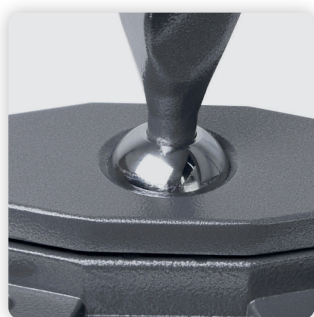
Ball joint vice SPANNFIX for SCREWING ON



The SPANNFIX 9-215 is suitable for all workbenches and surfaces due to its screw-on base. The vice can be attached to any table top using the four through holes (Ø 9 mm). A small pressure of the lever is sufficient and the clamped workpiece can be fixed steplessly and in any practical working position.

Also available in ESD:
9-215 ESD

Clamping pressure: 1470 N
Clamping width: 70 mm
Clamping depth: 38 mm
Jaw width: 50 mm



Position as shown:
ca. 220 x 180 x 115 mm
(dimensions for orientation)



Total weight: 1310 g



9-215

► 9-205 ESD

ESD ball joint vice SPANNFIX for CLAMPING ON, dissipative



The SPANNFIX 9-205 ESD with dissipative powder coating is suitable for workbenches or work areas with a maximum table top thickness of up to 80 mm. The small vice with ball joint is quick and easy to attach to any workbench or table top due to its table clamp. A small pressure of the lever is sufficient and the clamped workpiece can be fixed steplessly and in any practical working position.

Clamping pressure: 1470 N
Clamping width: 70 mm
Clamping depth: 38 mm
Jaw width: 50 mm
Bleeder resistor: $10^6 - 10^9$ Ohm



Position as shown:
ca. 310 x 170 x 75 mm
(dimensions for orientation)



Total weight: 1450 g



9-205 ESD